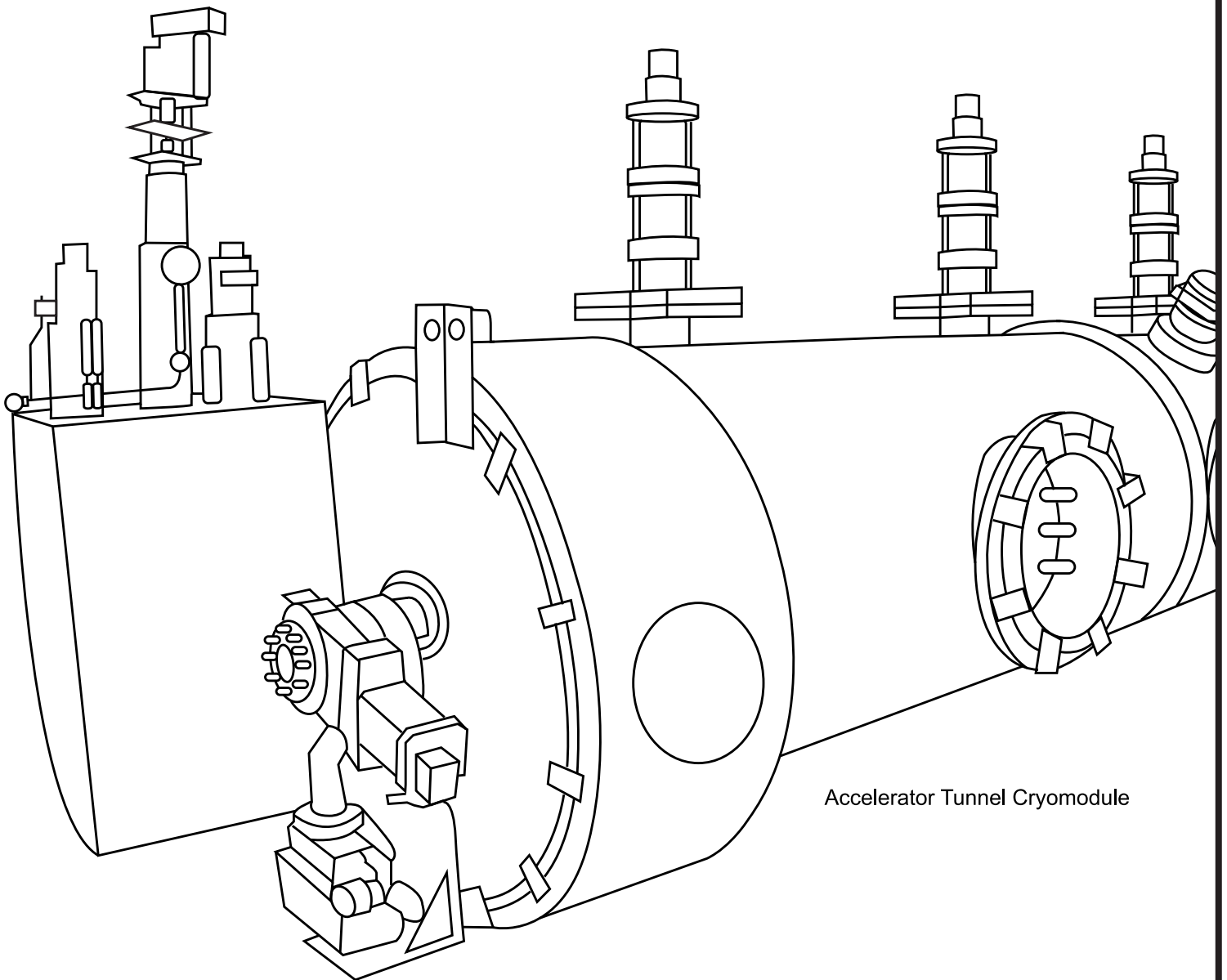
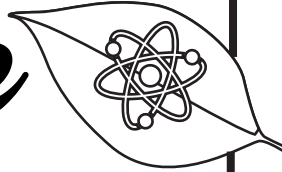
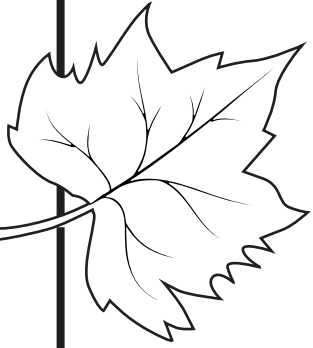
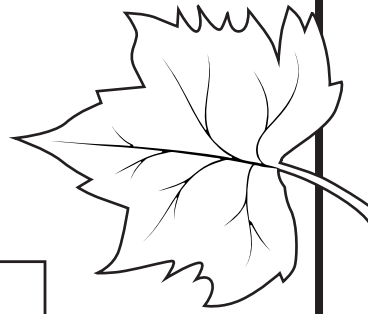
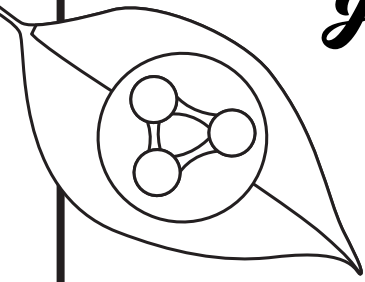


*Jefferson Lab*

FALL

*for Science*



Accelerator Tunnel Cryomodule